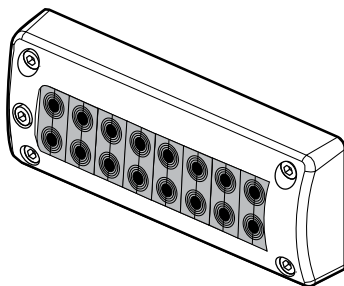


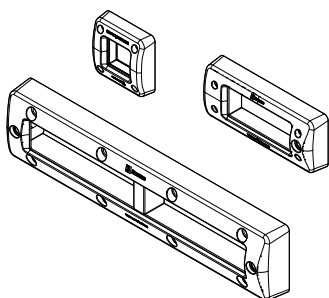
Safety information

Roxtec recommends that all installations are performed without facility operation. Follow national regulations and installation codes. Any action affecting the routed service should be performed according to manufacturer recommendations.

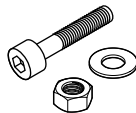


Installation instructions Roxtec EzEntry™ kits

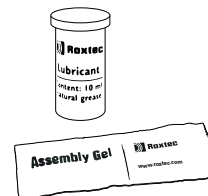
Components



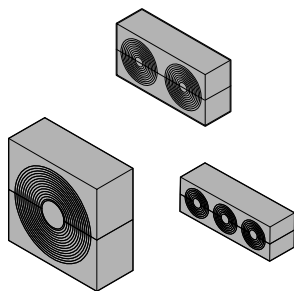
Roxtec EzEntry™ frame



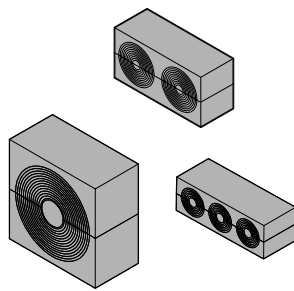
Self-tapping screws, nuts
and washers



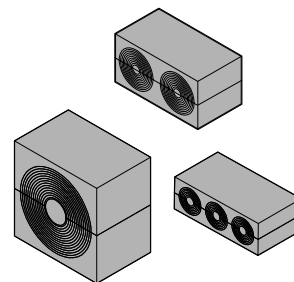
Roxtec Lubricant or
Roxtec Assembly gel



Roxtec GM modules



Roxtec EM modules

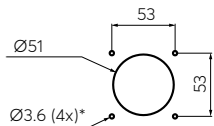


Roxtec CM modules

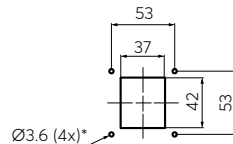
Aperture dimensions

* Recommended drill bit size when using the self-tapping screws as thread tap. When using nuts, see table below. All measures in millimeters (mm).

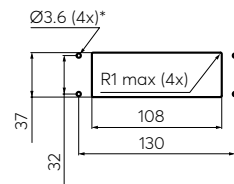
EzEntry™ 4 mini and 4/4



EzEntry™ 4/9

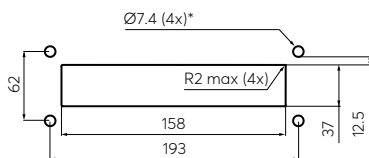


EzEntry™ 10



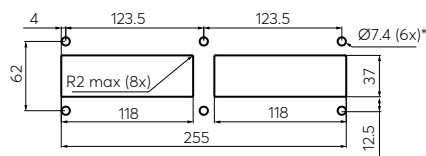
Roxtec EzEntry™ 10 fits the standard multipin connector knock-out.

EzEntry™ 16

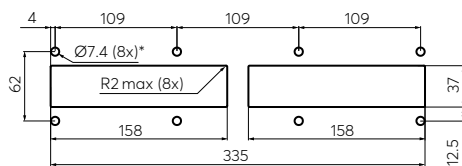


Roxtec EzEntry™ 16 fits the FL 21 knock-out.

EzEntry™ 24



EzEntry™ 32

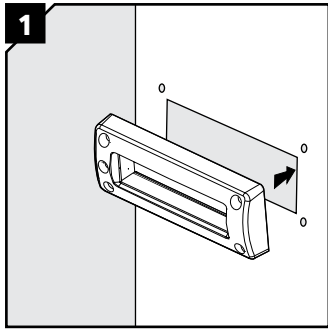


Drill bit size when using nuts

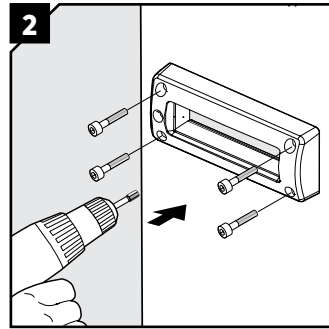
| Frame type | Drill bit diameter (mm) |
|------------|-------------------------|
| 4 mini | 4.5 |
| 4 | 4.5 |
| 10 | 4.5 |
| 16 | 9 |
| 24 | 9 |
| 32 | 9 |

Installation

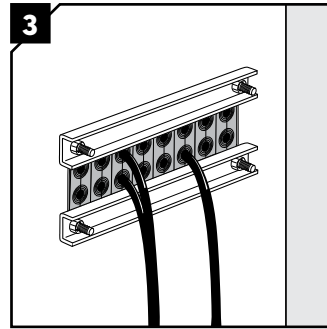
Cut an opening for the frame, according to the dimensions on the previous page.
 For installation of Roxtec EzEntry™ 4 mini, see last page.



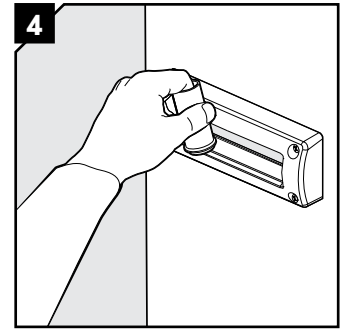
1 Insert the frame into the opening.



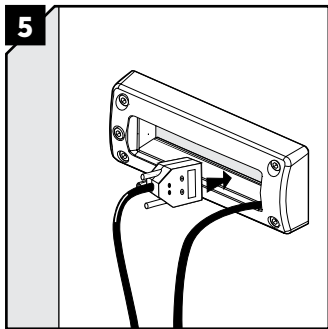
2 Attach the frame firmly.



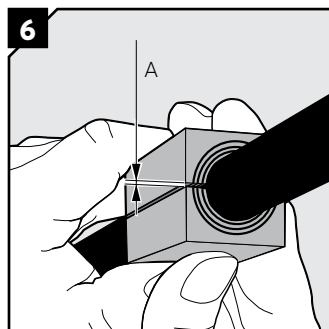
3 For EzEntry™ 16, use the counter flange (article no. 2CV000000016) if the thickness of the structure is 2 mm or less.



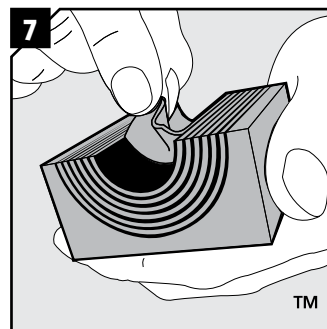
4 Lubricate the inside surfaces of the frame with Roxtec Lubricant. Make sure to lubricate the corners.



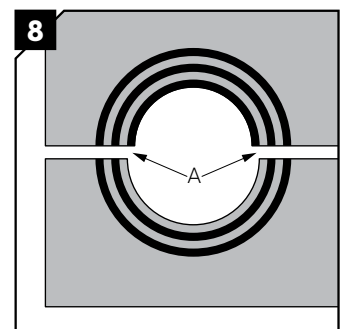
5 Feed the cables through the frame opening.



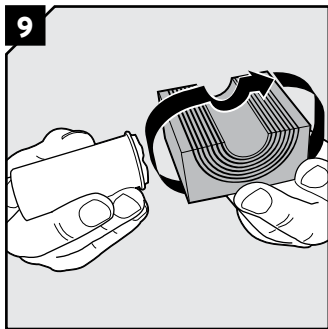
6 Achieve a gap of 0.1-1.0 mm (A) between the module halves by peeling off layers.



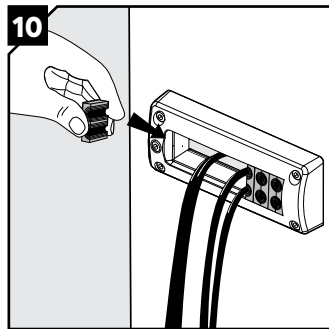
7 Adapt the module to the cable size. Peel off layers until you achieve the gap seen in previous step.



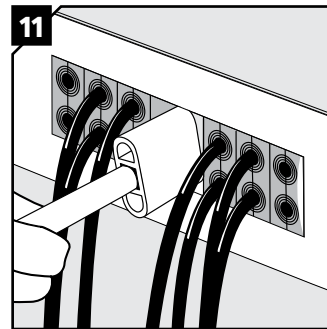
8 The number of layers may not differ (A) by more than one between the corresponding module halves.



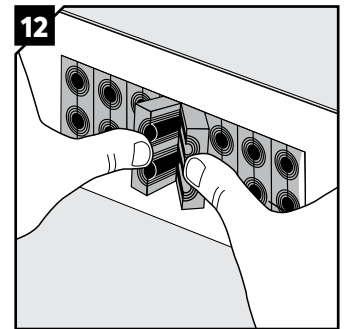
9 Lubricate all sealing surfaces of the modules thoroughly.



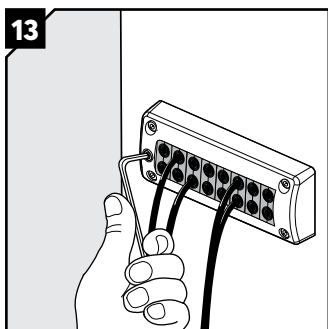
10 Insert the modules according to the packing plan.



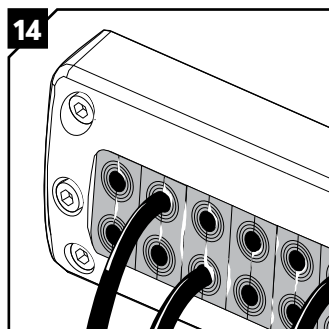
11 To simplify the installation, use a Roxtec pre-compression tool (not included).



12 To simplify the insertion of the last module, angle the module halves and press them into the frame simultaneously.



13 Tighten the screw of the integrated compression unit to the specified recommended torque.



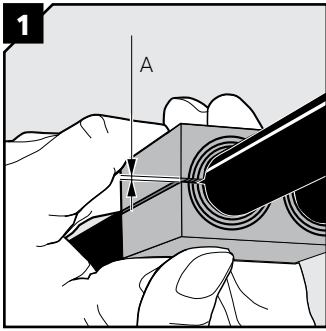
14 Excess lubricant is a sign of good compression.

Torque settings

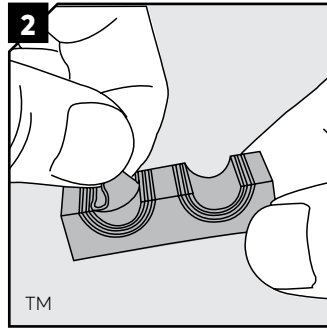
| Frame type | Rec. torque* (Nm) |
|------------|-------------------|
| 4 mini | 3-5 |
| 4 | 3-5 |
| 10 | 5-7 |
| 16 | 5-7 |
| 24 | 5-7 |
| 32 | 5-7 |

* The recommended torque depends on several things, e.g cable or pipe size, amount of used lubricant, material in the cable sheath, etc.

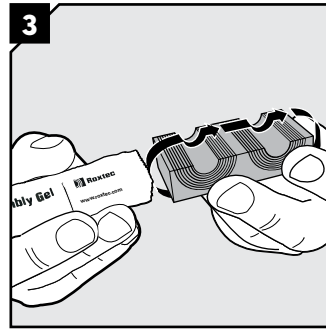
Roxtec EzEntry™ 4 mini installation



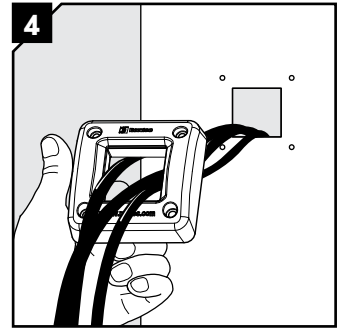
Achieve a gap of 0.1-1.0 mm (A) between the module halves by peeling off layers.



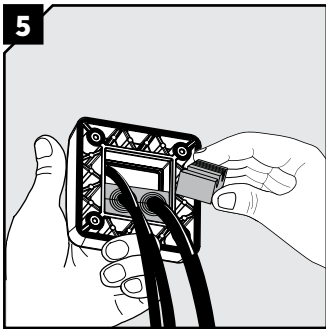
Adapt the module to the cable size. The halves may not differ by more than one layer.



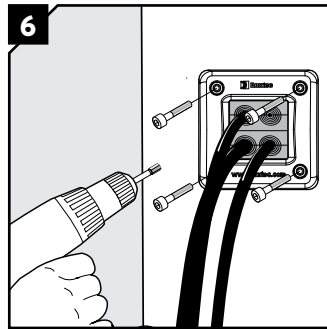
Lubricate the inside of the frame and the modules with Roxtec Assembly Gel.



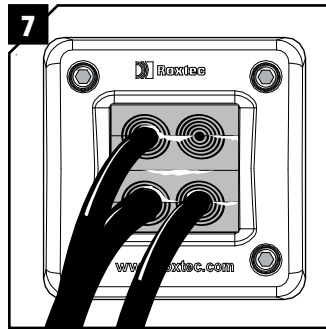
Feed the cables through the frame.



Insert all modules from the back of the frame and install all cables before attaching the frame to the structure.

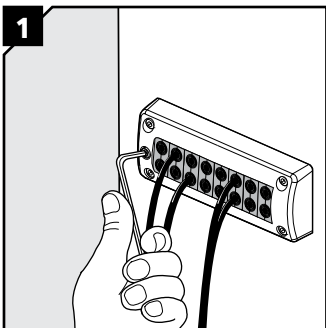


Attach the frame to the structure. Tighten the screws alternately and in small steps to full stop.

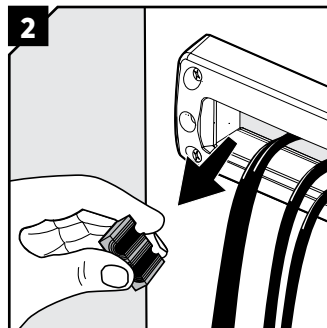


Excess lubricant is a sign of good compression.

Disassembly



Untighten the screw of the integrated compression unit.



Remove the modules needed.

Note

- For optimum reliability, wait 24 hours or longer after installation before exposing the cables or pipes to strain or pressure.
- Approvals or certificates may include amendments or limitations related to this application.
- The latest version of this and related documents are found at roxtec.com.

DISCLAIMER

"The Roxtec cable entry sealing system ("the Roxtec system") is a modular-based system of sealing products consisting of different components. Each and every one of the components is necessary for the best performance of the Roxtec system. The Roxtec system has been certified to resist a number of different hazards. Any such certification, and the ability of the Roxtec system to resist such hazards, is dependent on all components that are installed as a part of the Roxtec system. Thus, the certification is not valid and does not apply unless all components installed as part of the Roxtec system are manufactured by or under license from Roxtec ("authorized manufacturer"). Roxtec gives no performance guarantee with respect to the Roxtec system, unless (I) all components installed as part of the Roxtec system are manufactured by an authorized manufacturer and (II) the purchaser is in compliance with (a), and (b), below.
(a) During storage, the Roxtec system or part thereof, shall be kept indoors in its original packaging at room temperature.
(b) Installation shall be carried out in accordance with Roxtec installation instructions in effect from time to time.

The product information provided by Roxtec does not release the purchaser of the Roxtec system, or part thereof, from the obligation to independently determine the suitability of the products for the intended process, installation and/or use.
Roxtec gives no guarantee for the Roxtec system or any part thereof and assumes no liability for any loss or damage whatsoever, whether direct, indirect, consequential, loss of profit or otherwise, occurred or caused by the Roxtec systems or installations containing components not manufactured by an authorized manufacturer and/or occurred or caused by the use of the Roxtec system in a manner or for an application other than for which the Roxtec system was designed or intended.
Roxtec expressly excludes any implied warranties of merchantability and fitness for a particular purpose and all other express or implied representations and warranties provided by statute or common law. User determines suitability of the Roxtec system for intended use and assumes all risk and liability in connection therewith. In no event shall Roxtec be liable for indirect, consequential, punitive, special, exemplary or incidental damages or losses.*



Roxtec International AB
Box 540, 371 23 Karlskrona, SWEDEN
PHONE +46 455 36 67 00, FAX +46 455 820 12
EMAIL info@roxtec.com, www.roxtec.com