

## SL1 – LED searchlight Compact & Powerful

- Compact size
- Progressive design
- Light weight
- Excellent EMC characteristics
- Ruggedized construction
- Unlimited horizontal movement
- Wave compensated tilt movement
- New user friendly operator panel logic
- Digital controlled spot and flood beam
- Over 2.0 MCd light intensity with LED
- Dimmable beam
- Hold light direction (HLD) function



**SL1**  
SEARCHLIGHT

# SL1 – Searchlight

## Output / performance

<b>Spot beam</b>	3.5° / 1 800 kCd / 1340 m
<b>Wide beam</b>	15 ° / 420 kCd / 12 000 lm
<b>Initial luminous flux</b>	Over 30 000 lm
<b>CRI</b>	Min. 70
<b>Color temp</b>	6000

## Input

<b>Mains power searchlight</b>	24 VDC, power consumption max 550W (for AC mains power, a separate AC/DC converter is needed)
<b>Mains power operator panel</b>	18 – 32 VDC

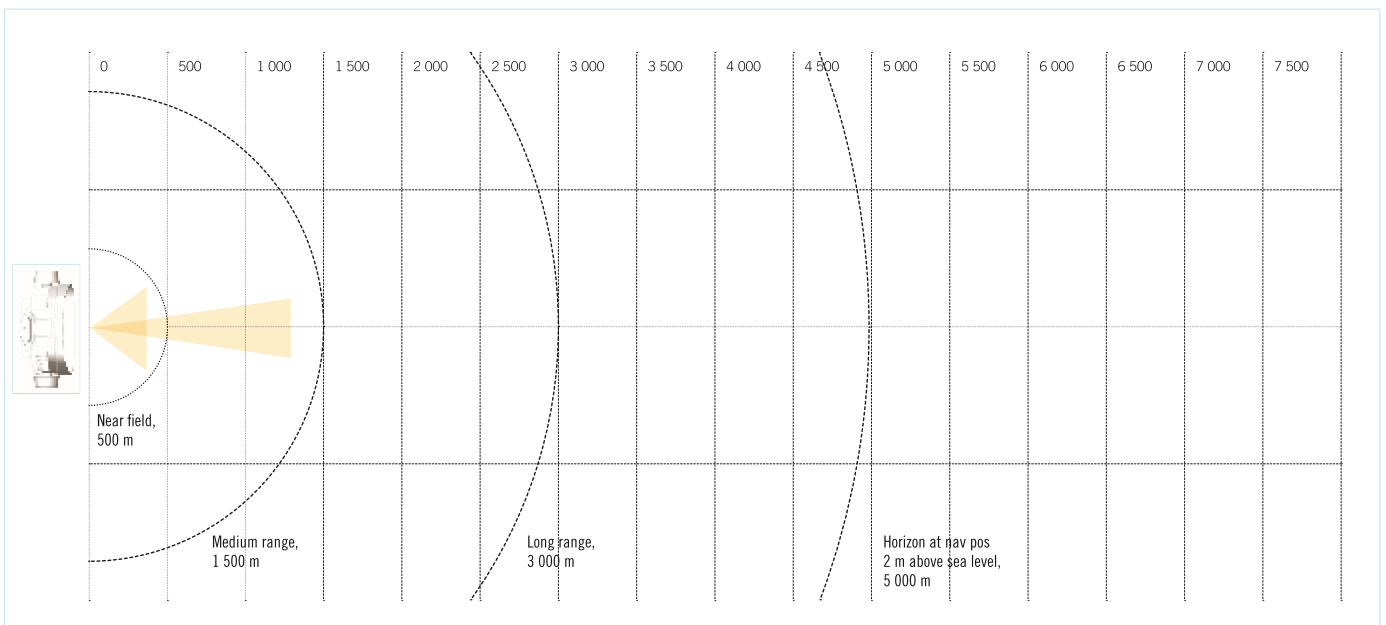
## Pan/Tilt

<b>Horizontal</b>	Adaptive progressive control wheel Unlimited movement with slipping technology Horizontal movement max speed 33°/second
<b>Vertical</b>	Proportional progressive joystick + 90° / - 30 movement Vertical movement max speed 68°/second Wave compensation function – activate/deactivation

## Functions

<b>Direct button functions</b>	Horizontal and vertical movement Light on/off Wave compensation on/off Hold light direction on/off Beam angle spot/flood Dimming step by step
<b>Standard menu functions</b>	Custom home screen – set your 4 most used functions Up to 4 programmable fixed positions Sweep in horizontal direction Surveillance in horizontal and vertical direction Switch – to another potential SL1 in the network Sync – advanced smarter sync with offset setting possibility

## Illumination presentation

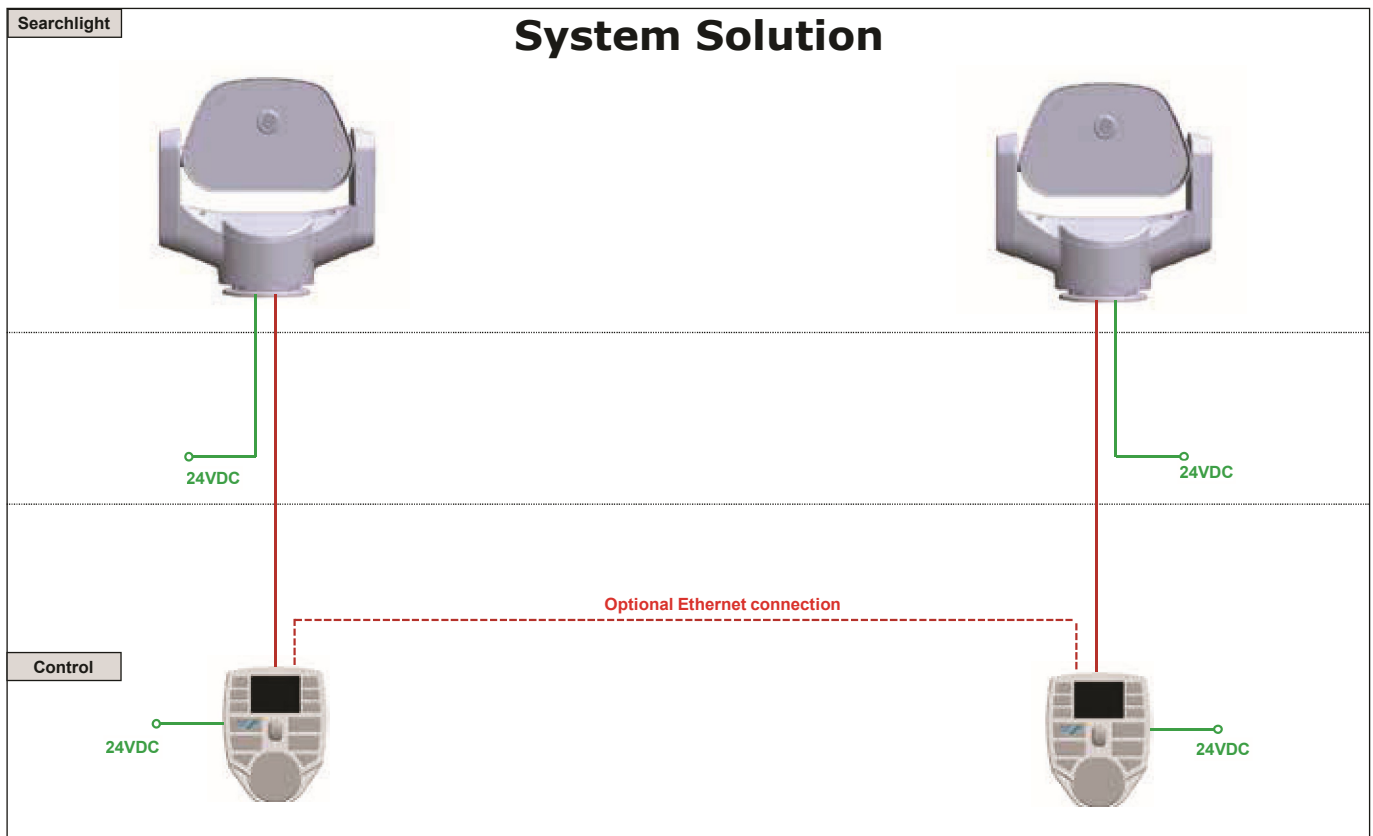


# SL1 – Searchlight

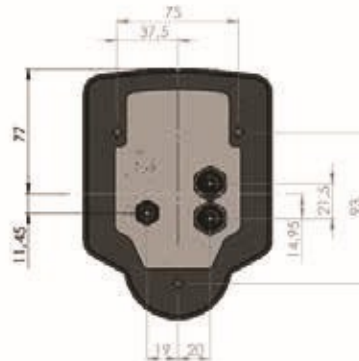
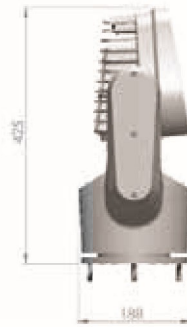
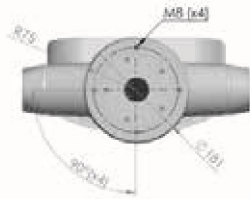
## General specification

<b>IP class</b>	Searchlight IP66 Operator panel IP56
<b>Operating temperature</b>	Searchlight -40°C to +55°C* Operator panel -20°C to +55°C
<b>EMC</b>	Designed for IEC 60945
<b>Vibration/shock</b>	Designed for IEC 60945
<b>Materials</b>	- Searchlight body in seawater resistance aluminum, anodized and powder coated. - Searchlight mechanical hub in acidproof stainless steel. - Tempered front glass. - Operator panel made in PC-ABS.
<b>Colours</b>	- The searchlight body comes in 3 colour versions: - White RAL 9016 gloss level 70 - Matt Jet Black RAL 9005 gloss level 20 - Matt Light grey RAL 7035 gloss level 20
<b>Electrical interface to vessel</b>	- DC power 3 wires (+/-/earth) - Ethernet for operator control panel
<b>Mechanical interface to vessel</b>	4 x threaded rod M8 in the searchlight mechanical hub. Sealing between vessel and searchlight mechanical hub for galvanic insulation (and to avoid water ingress in wheelhouse).
<b>Static size and weight</b>	19 x 40 x 42 cm, 18 kg
<b>Optional hardware</b>	- Side entry connection adaptor (Q3 2019) - Stray light reduction shield (Q3 2019) - Integration Unity Hub (Q3 2019)

\*Temperature monitored LED for increased lifetime. Reduced light effect at higher environmental temperatures



# SL1 – Searchlight



## SL2 – LED searchlight Compact & Powerful

- Compact size
- Progressive design
- FiFi regulation compliance
- Excellent EMC characteristics
- Ruggedized construction
- Unlimited horizontal and vertical movement
- User friendly operator panel logic
- Powerful spotbeam for range
- Massive wide beam for near vessel operations
- Over 4.0 MCd total light intensity
- Optional integration and automation functions



**SL2**  
SEARCHLIGHT

# SL2 – Searchlight

## Output / performance

<b>Spot beam</b>	3.5° / 3 600 kCd / 1 900 m
<b>Wide beam</b>	15 ° / 840 kCd / 24 000 lm
<b>Initial luminous flux</b>	Over 60 000 lm
<b>CRI</b>	Min. 70
<b>Color temp</b>	6000

## Input

<b>Mains power searchlight</b>	24 VDC to electrical cabinet. Power consumption max 800 W (for AC mains power, an alternative electrical cabinet is available)
<b>Mains power operator panel</b>	9 – 28 VDC

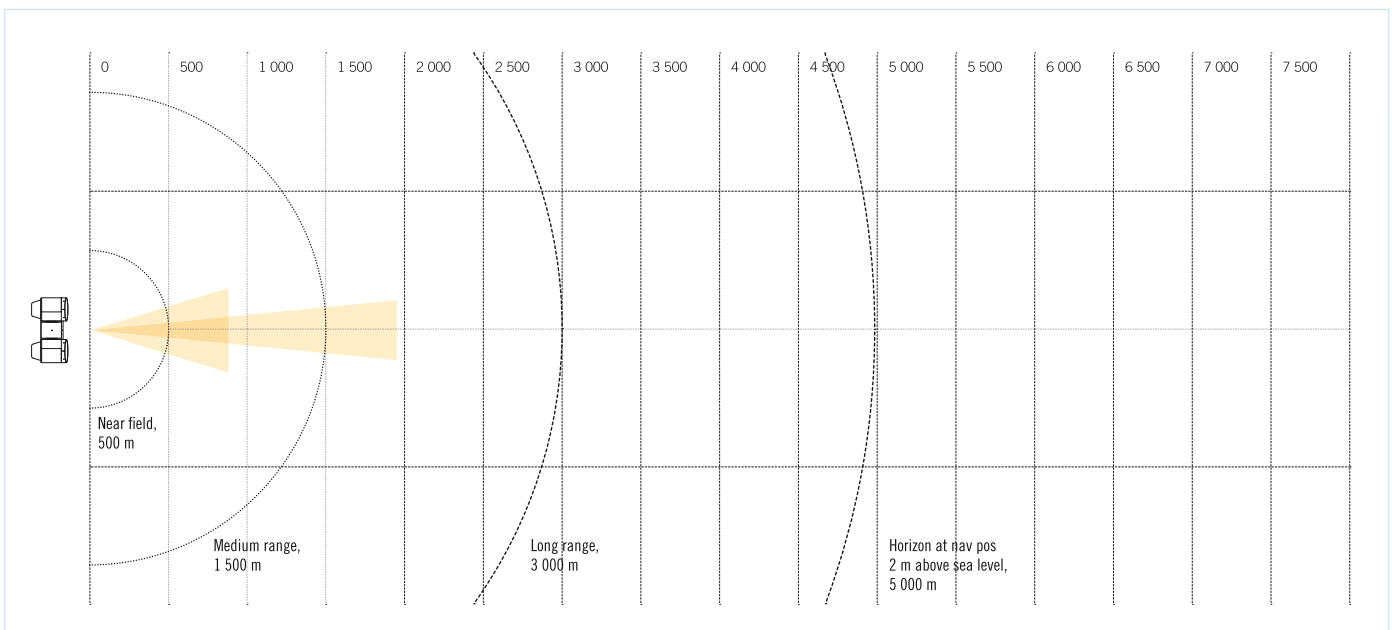
## Pan/Tilt

<b>Both axis</b>	Proportional progressive joystick Unlimited movement in horizontal and vertical direction with slipping technology Movement max speed 33°/second
------------------	--

## Functions

<b>Direct button functions</b>	Horizontal and vertical movement Light on/off Beam angle spot/flood Dimming step by step
<b>Standard menu functions</b>	Up to 4 programmable fixed positions Sweep in horizontal direction Surveillance in horizontal and vertical direction Switch – to another searchlight in the network Synchronized control

## Illumination presentation

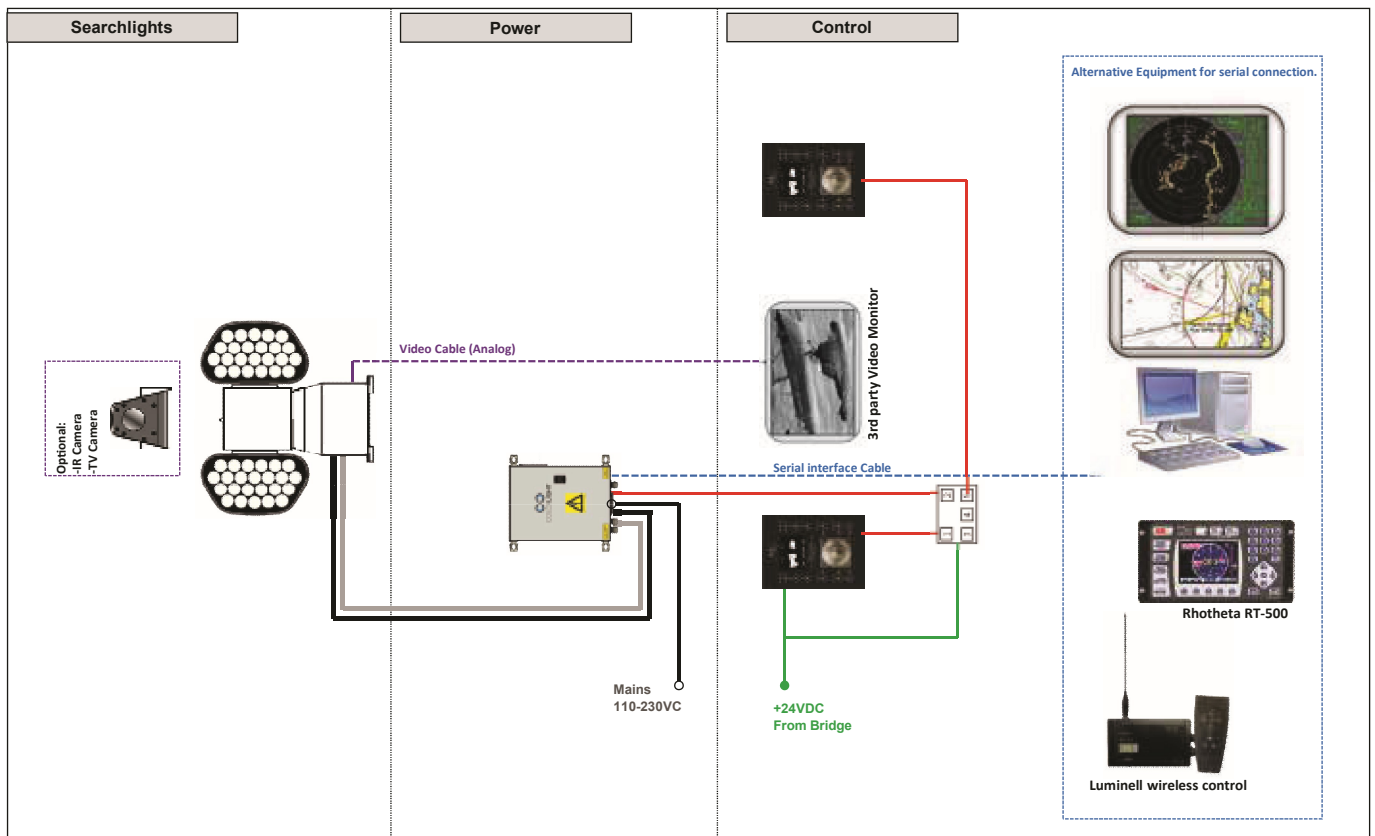


# SL2 – Searchlight

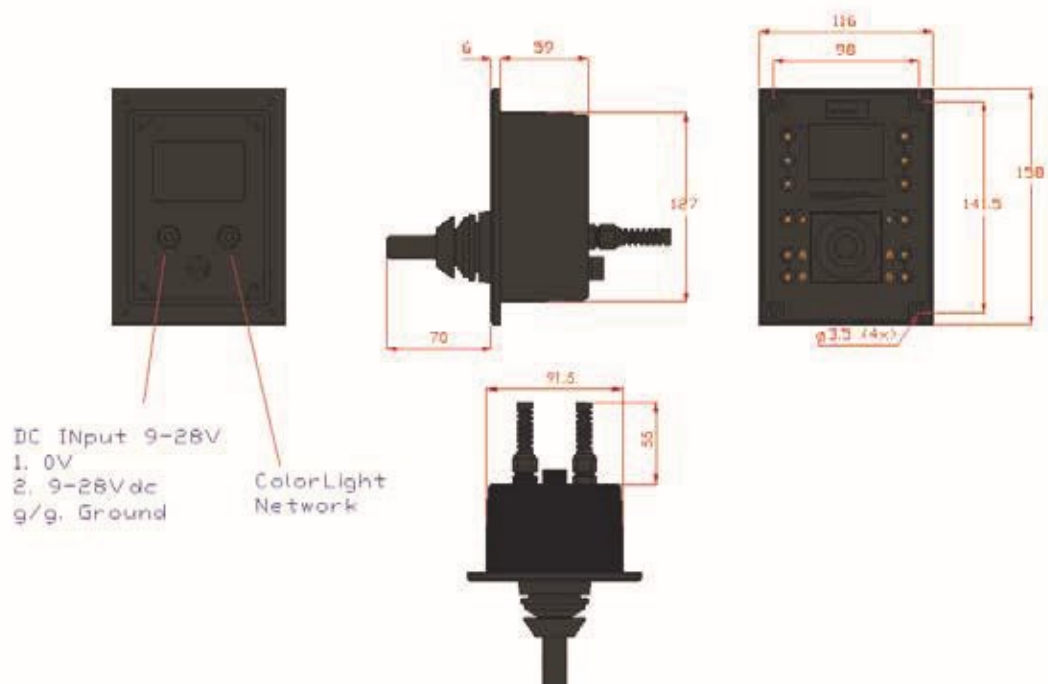
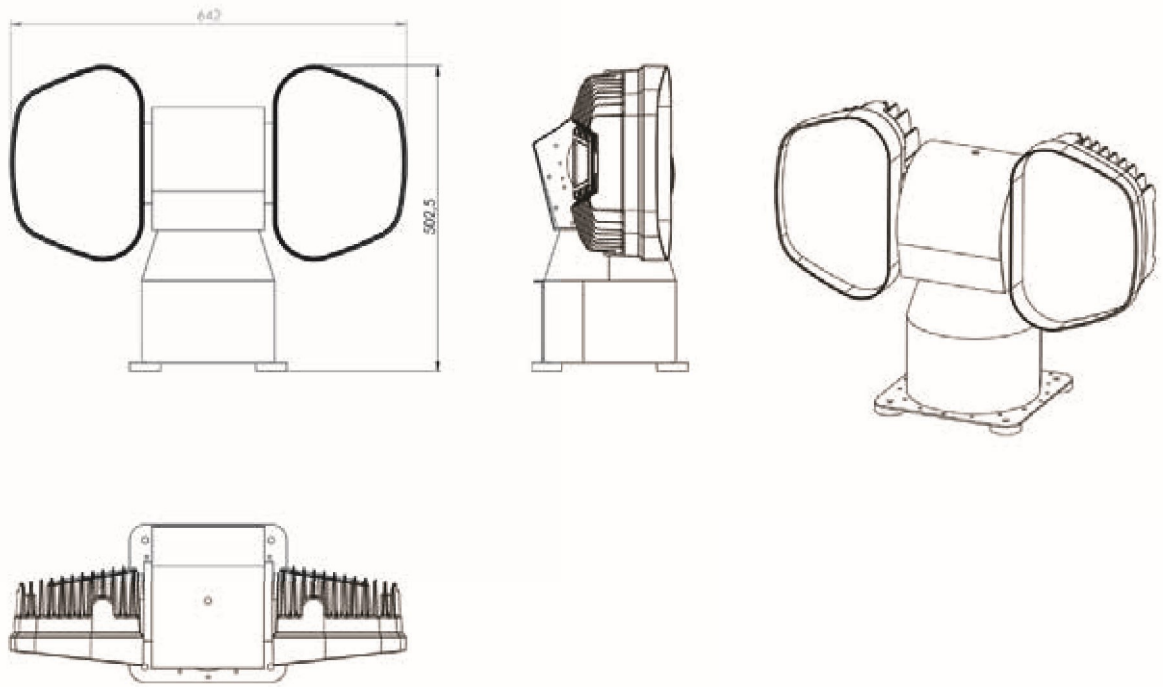
## General specification

<b>IP class</b>	Searchlight IP66 Operator panel IP56
<b>Operating temperature</b>	Searchlight -40°C to +55°C* Operator panel -20°C to +55°C
<b>EMC</b>	Designed for IEC 60945
<b>Vibration/shock</b>	Designed for IEC 60945
<b>Materials</b>	- Searchlight body in acidproof stainless steel 1.4404, powder coated. - LED-module in seawater resistant aluminum, powder coated white. - Tempered front glass. - Operator panel made in ABS and anodized aluminum
<b>Colours</b>	- The searchlight comes in 3 optional colours: - White RAL 9016 gloss level 70 - Matt Jet Black RAL 9005 gloss level 20 - Matt Light grey RAL 7035 gloss level 20
<b>Electrical interface to vessel</b>	- DC or AC power cable as electrical block schematic. - Ethernet for operator control panel
<b>Mechanical interface to vessel</b>	4 x M10 bolts in the searchlight mechanical foot. Vibration dampers for protection and galvanic insulation.
<b>Static size and weight</b>	26x65x50 cm, weight 28 kg (excluding cabinet and operator panel) (see also drawing)

\*Temperature monitored LED for increased lifetime. Reduced light effect at higher environmental temperatures



## SL2 – Searchlight





## SL2IR – LED searchlight with integrated thermal imager

- Compact size
- Progressive design
- FiFi regulation compliance
- Excellent EMC characteristics
- Ruggedized construction
- Unlimited horizontal and vertical movement
- User friendly operator panel logic
- Powerful spotbeam for range
- Massive wide beam for near vessel operations
- Over 4.0 MCd total light intensity
- Optional integration and automation functions
- Ruggedized built in thermal imager



\* IR cam 2 year



**SL2IR**  
SEARCHLIGHT

# SL2IR – Searchlight

## Output / performance

<b>Spot beam</b>	3.5° / 3 600 kCd / 1 900 m
<b>Wide beam</b>	15 ° / 840 kCd / 24 000 lm
<b>Initial luminous flux</b>	Over 60 000 lm
<b>CRI</b>	Min. 70
<b>Color temp</b>	6000

## Input

<b>Mains power searchlight</b>	24 VDC to electrical cabinet. Power consumption max 800 W (for AC mains power, an alternative electrical cabinet is available)
<b>Mains power operator panel</b>	9 – 28 VDC

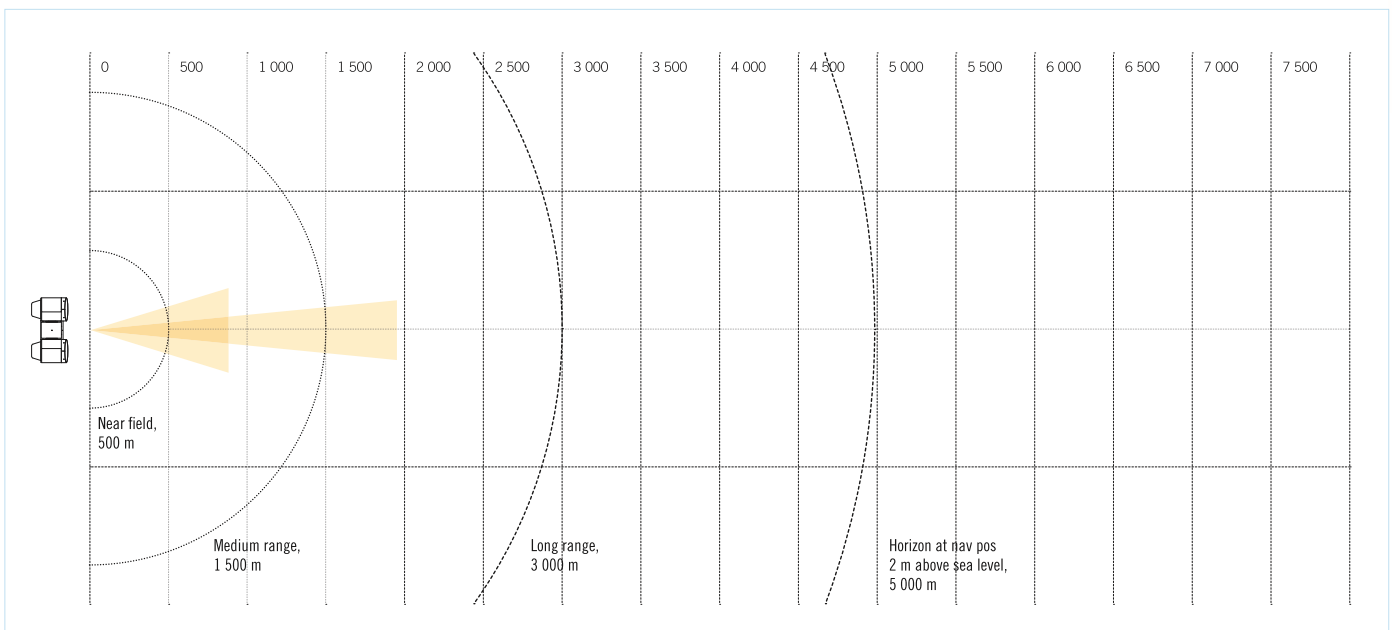
## Pan/Tilt

<b>Both axis</b>	Proportional progressive joystick Unlimited movement in horizontal and vertical direction with slipping technology Movement max speed 33°/second
------------------	--

## Functions

<b>Direct button functions</b>	Horizontal and vertical movement Light on/off Beam angle spot/flood Dimming step by step
<b>Standard menu functions</b>	Up to 4 programmable fixed positions Sweep in horizontal direction Surveillance in horizontal and vertical direction Switch – to another searchlight in the network Synchronized control

## Illumination presentation



## Performance of thermal imager

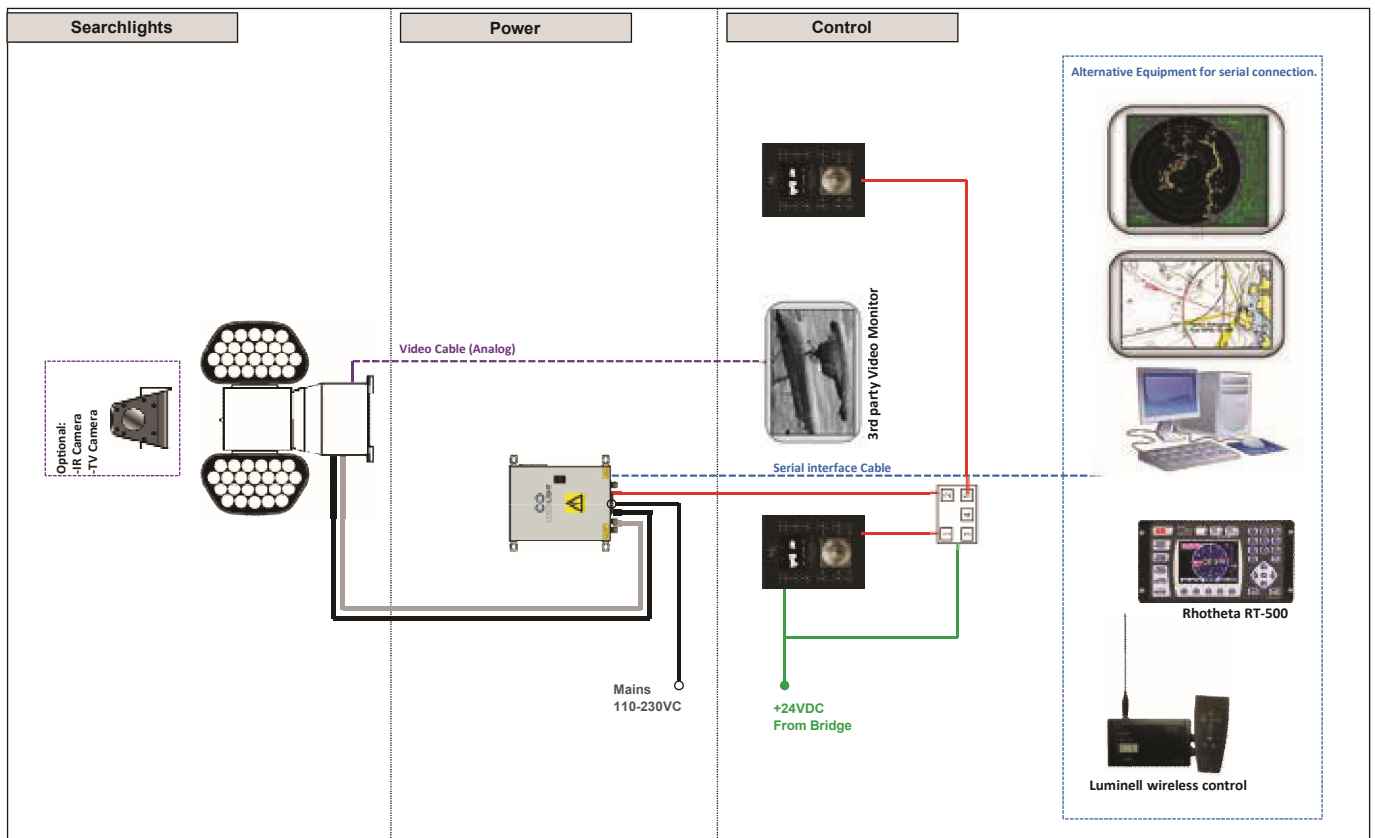
<b>IR STD 336 RES</b>	FOW 13 x 10°	800 m Detection man, 2 000 m Detection small vessel
<b>IR STD 640 RES</b>	FOW 25 x 20°	900 m Detection man, 2 800 m Detection small vessel

# SL2IR – Searchlight

## General specification

<b>IP class</b>	Searchlight IP66 Operator panel IP56
<b>Operating temperature</b>	Searchlight -40°C to +55°C* Operator panel -20°C to +55°C
<b>EMC</b>	Designed for IEC 60945
<b>Vibration/shock</b>	Designed for IEC 60945
<b>Materials</b>	- Searchlight body in acidproof stainless steel 1.4404, powder coated. - LED-module in seawater resistant aluminum, powder coated white. - Tempered front glass. - Operator panel made in ABS and anodized aluminum
<b>Colours</b>	- The searchlight comes in 3 optional colours: - White RAL 9016 gloss level 70 - Matt Jet Black RAL 9005 gloss level 20 - Matt Light grey RAL 7035 gloss level 20
<b>Electrical interface to vessel</b>	- DC or AC power cable as electrical block schematic. - Ethernet for operator control panel
<b>Mechanical interface to vessel</b>	4 x M10 bolts in the searchlight mechanical foot. Vibration dampers for protection and galvanic insulation.
<b>Static size and weight</b>	26x65x50 cm, weight 28 kg (excluding cabinet and operator panel) (see also drawing)

\*Temperature monitored LED for increased lifetime. Reduced light effect at higher environmental temperatures



# SL2IR – Searchlight

